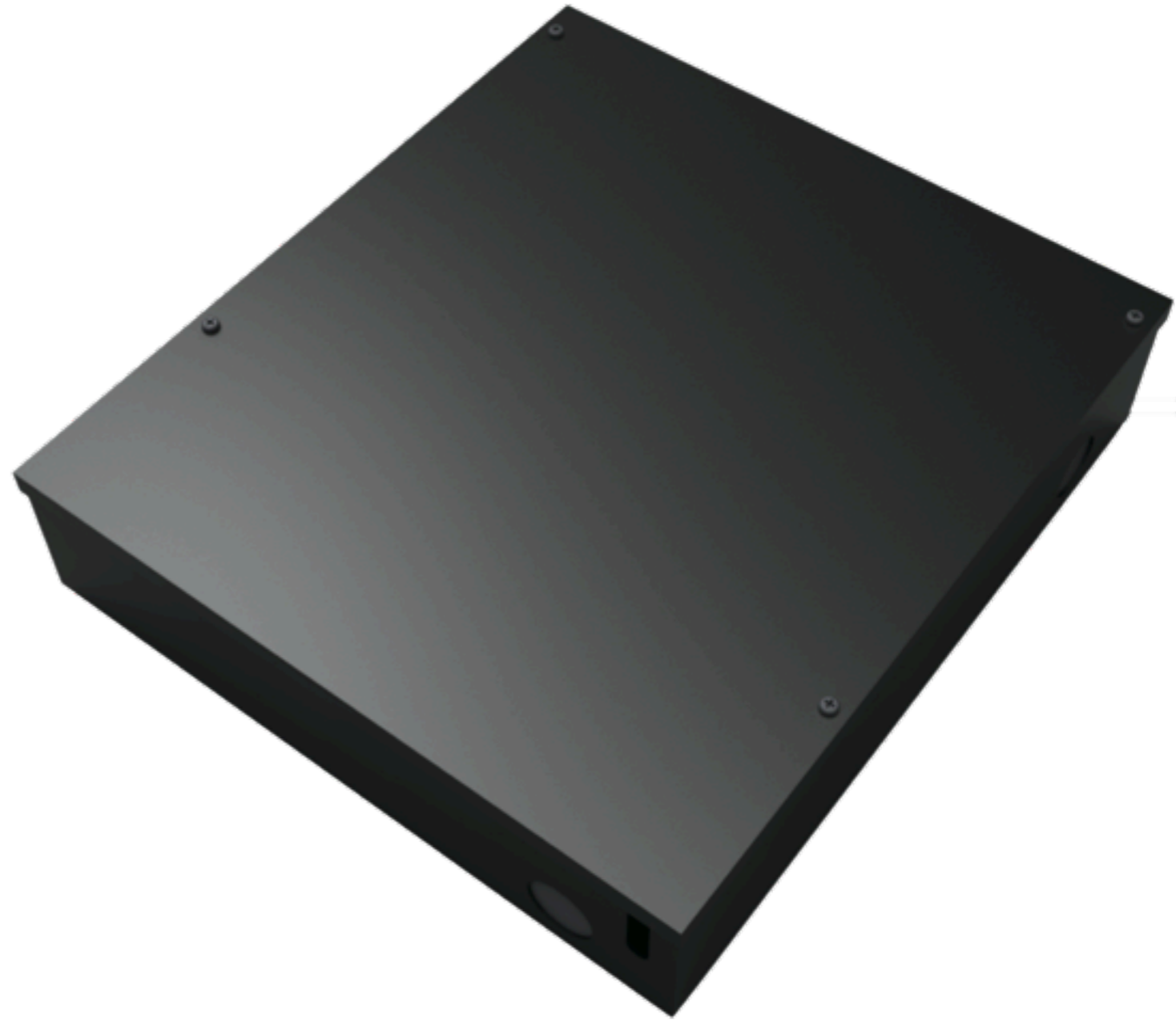


CP-040

4 CHANNEL CONTROLLER



SPECIFICATION

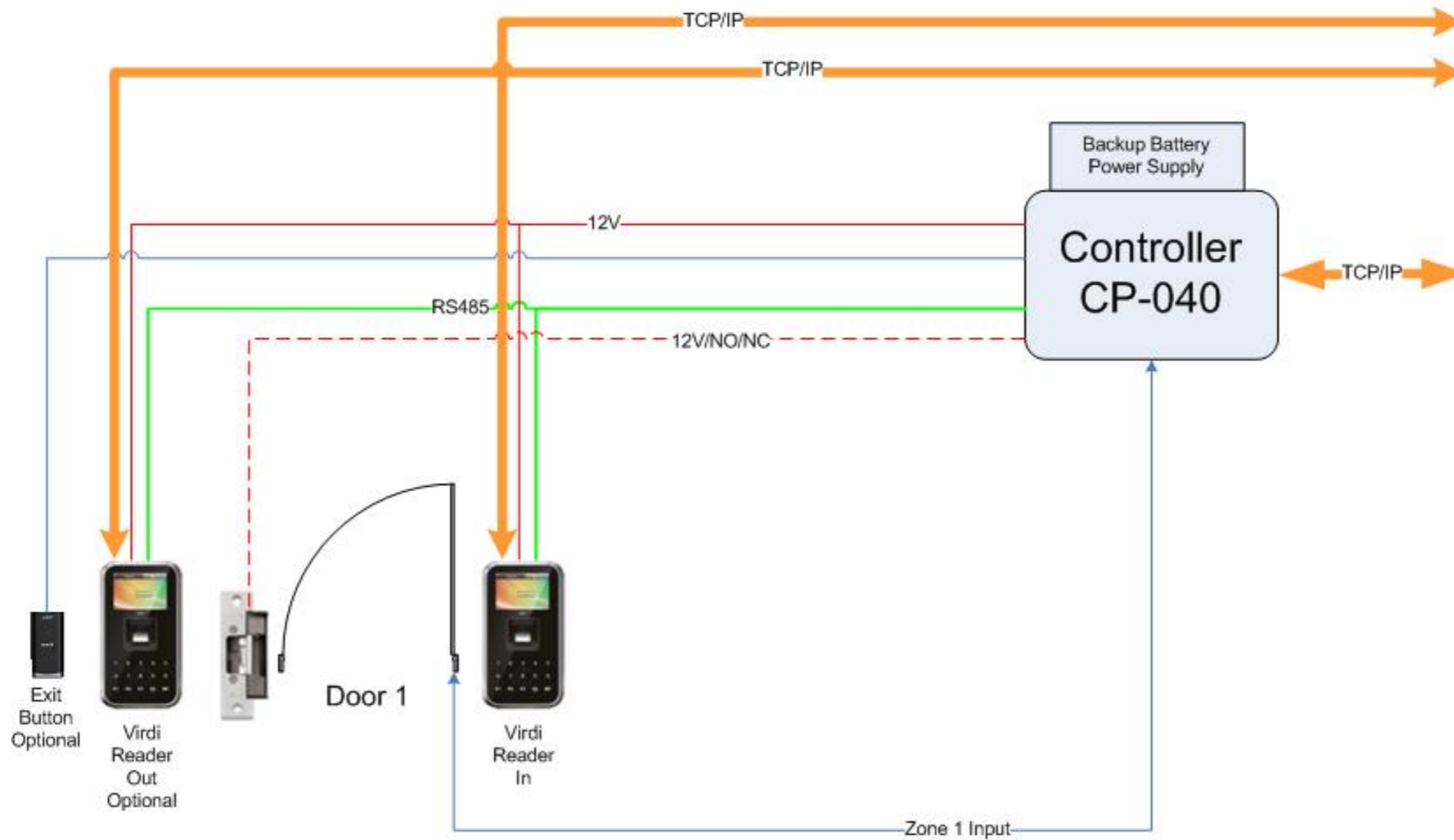
BIOMETRIC
ACCESS &
TIME ATTENDANCE



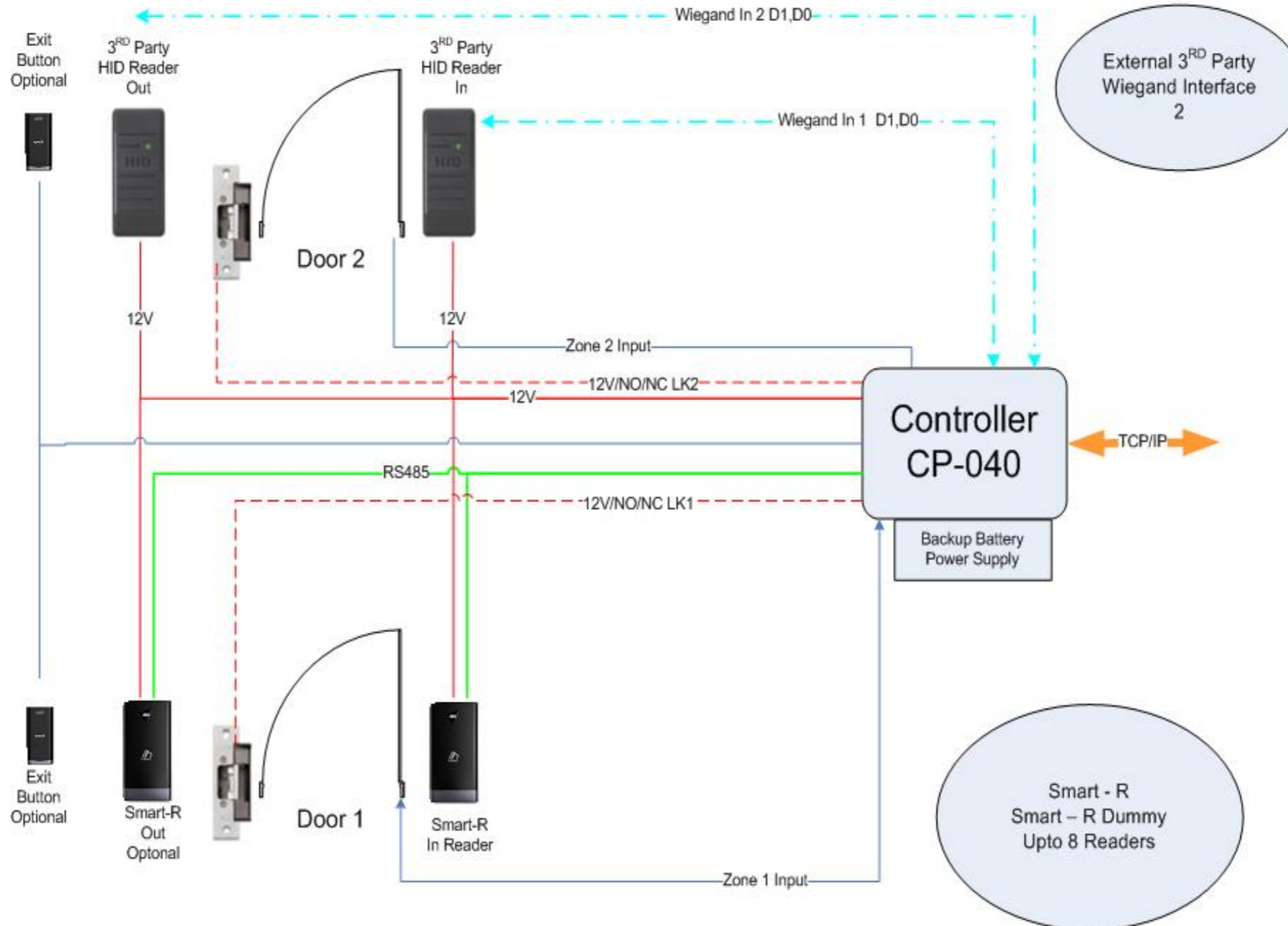
UNIT	CP-040
Device	Controller
System Configure	Controller + PC Sever + Lock
Schedules	1,024
Event Log	24,000
User	10,000
Server Integration	Access Server & UNIS Server(Anti-Pass Back)
CPU	32 bits RISC Processor(ARM Cortex-M3 Core)
Memory	32MB Serial Flash
External port	RS485 2Port / RS232 2Port / Wiegand IN 2Port
Display	LED(RED/GREEN/BLUE)
Lock Interface	EM, Strike, Motor Lock, Auto Door / 4 Door, 4 Exit Input port
Zone Interface	8 Zone(Dual Port)
Bell Interface	Light bar/Siren
PGM Interface	Programmable Output
Tamper	Case Open Sensor
LAN	10/100M Ethernet(Auto Detecting)
Wifi	Wifi Module(Optional)
Backup Battery	DC12V Back up battery (Optional)
Power Output	DC12V \pm 5%
Temperature	-20 C ~ +60 C (RH 90%)



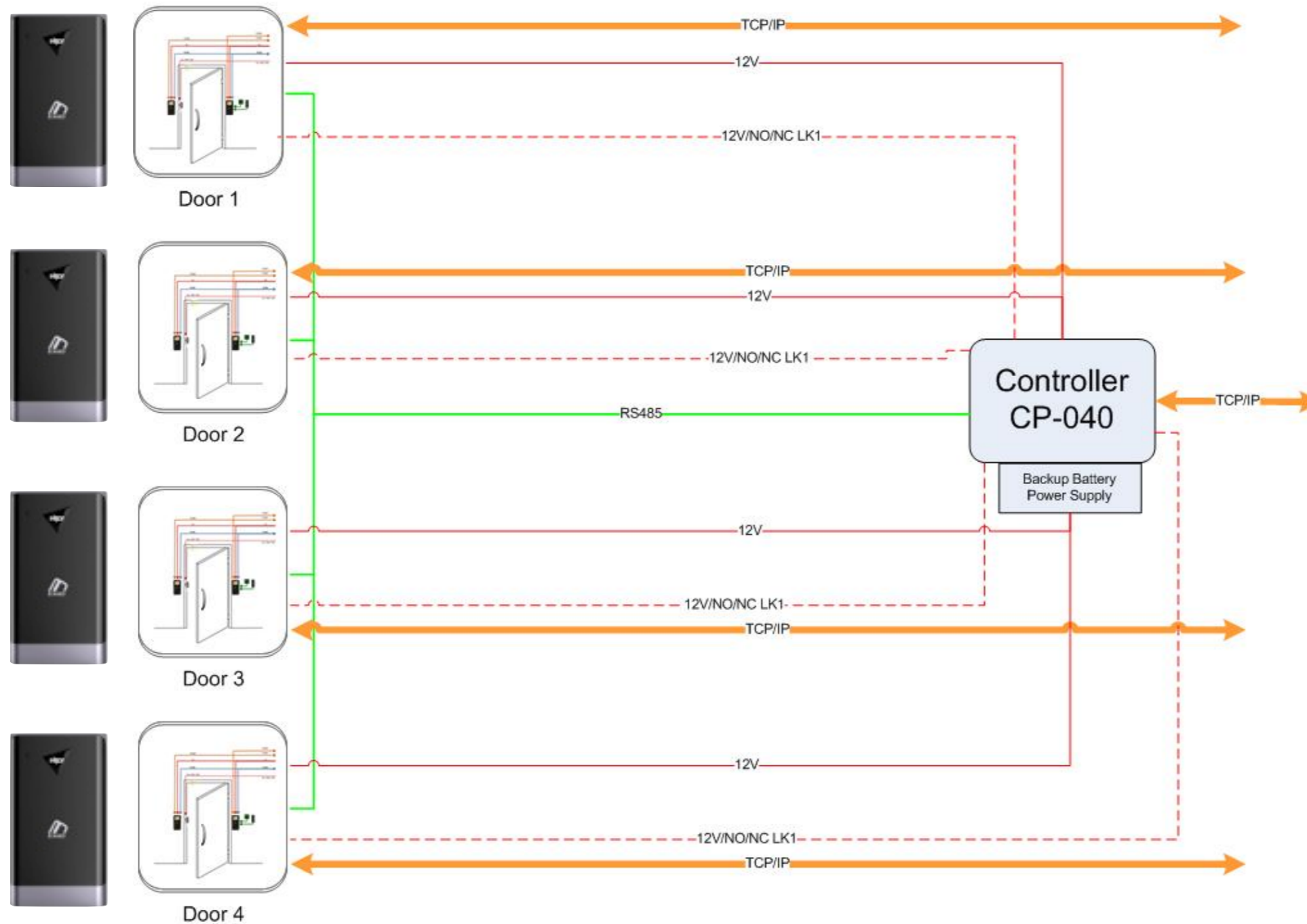
One Door Biometric Access



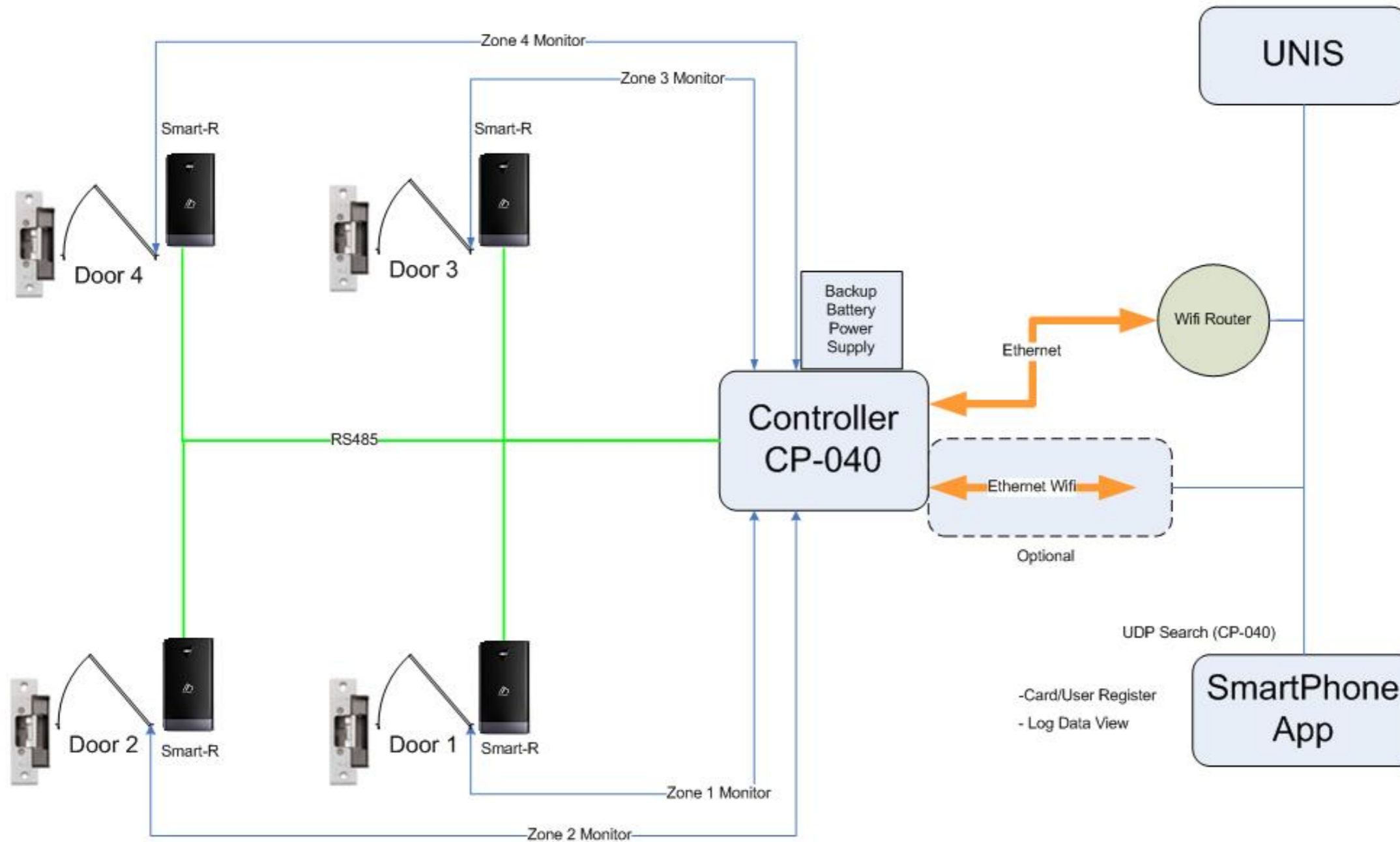
Two Door with RFID Readers



Four Door with Virdi Biometric Readers



Four Door AC-R I00 Dummy Reader





Overview

